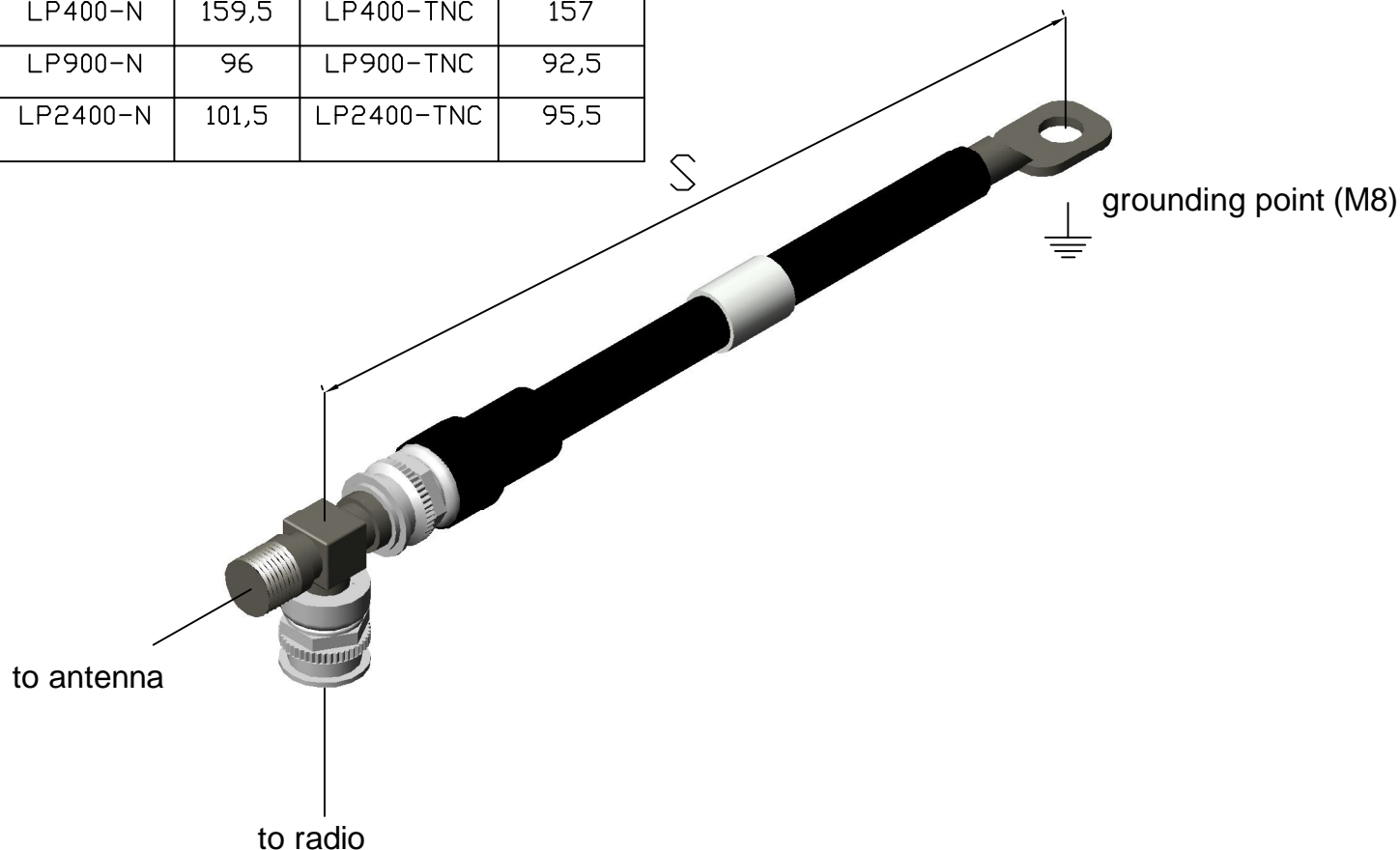


ComAnt LP Installation instructions

S (mm)			
LP80-N	664	LP80-TNC	663,5
LP150-N	354	LP150-TNC	353,5
LP230-N	258	LP230-TNC	258,5
LP350-N	185,5	LP350-TNC	183
LP400-N	159,5	LP400-TNC	157
LP900-N	96	LP900-TNC	92,5
LP2400-N	101,5	LP2400-TNC	95,5



The preferred location for lightning protector is outside of protected zone

The lightning protector can be inserted to feedline in both directions

Grounding to central grounding bar or equivalent

Grounding cables of minimum 16 mm²

Grounding point is mounted by properly tightened M8 bolt

The contact surfaces at the grounding point shall be clean and dry

LP-N(N-female - N-male) is IP67

LP-TNC (TNC-female - TNC-male) is IP62

For proper weather protection all connectors and cable junctions should be covered by self-amalgamating tape or equivalent

CompleTech
ComAnt® -antennas by CompleTech, Finland